

**Low-cost chemical
storage tanks
made for years of
dependable service.**

110 Series Solution Tanks



Clack's line of low-cost, high-quality chemical feed and storage tanks are manufactured from rugged high density polyethylene for years of dependable service, even in the toughest environments.

Available in several colors, Clack's 110 Series Solution Tanks are designed with 110 mm openings for easy access and convenient filling. The wide diameter openings also allow adequate clearance to reach inside for assembly of fittings.

Clack's child-resistant closure deters accidental entry, while the special cap liner prevents accidental leaks when cap is properly applied.

Convenient 15-gallon size is perfect for use in tight spaces. The larger 35-gallon size accommodates pumps, mixers, and other accessories for light commercial and industrial use.

Call Clack today and find out how you can save substantially on 15-gallon and 35-gallon chemical storage tank costs by using 110 Series Solution Tanks.

ORDER NUMBER	DESCRIPTION	UNITS PER CARTON/WEIGHT
G21424*N7C00	15 gallon with closure	1/7
G21832*N7C00	35 gallon with closure	1/19

** A=Almond, B=Blue, P=Polynatural.
Almond not available in the 35-gallon size.*

Features:



INTEGRATED MOUNTING PLATFORM:

Clack's 110 Series tanks have a mounting platform molded right into the top. This allows you to attach a chemical feed pump quickly, easily, and permanently. The 35-gallon tank also allows for installation of mixers and other accessories.



CHILD RESISTANT CLOSURE:

All of Clack's 110 Series tanks come with patented Squeeze Lok™ closures. This unique cap locking system provides visible and touch-sensitive indication when the tank lock tab is engaged.

SPECIAL CAP LINER:

Special cap liner acts as a tight seal to prevent accidental leakage.

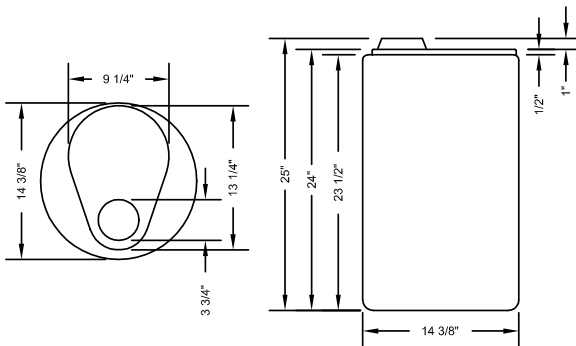


EASY-TO-READ GALLON/LITER SCALE:

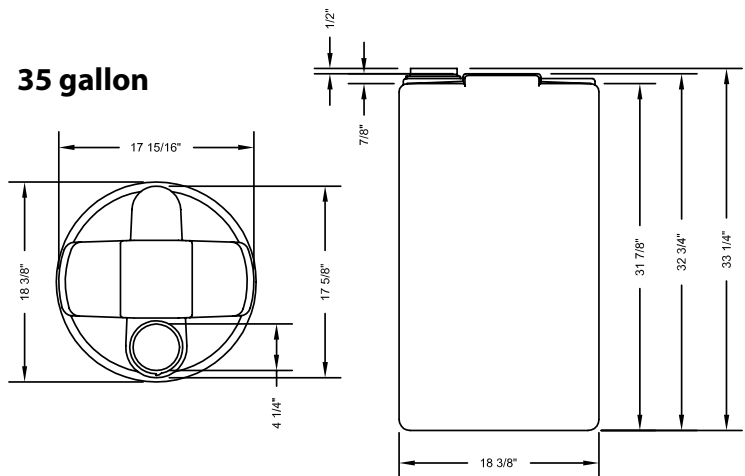
Clack's 110 Series tanks have large, easy-to-read volume scale molded in. No more guessing.

Dimensions:

15 gallon



35 gallon



Clack Corporation
www.clackcorp.com



4462 DURAFORM LANE • WINDSOR, WISCONSIN 53598-9716 USA
PHONE (608) 846-3010 FAX (608) 846-2586 SALES/CUSTOMER SERVICE FAX (800) 755-3010

Form No. 1514
Updated 08/04